

SEALEY

TOPCHESTS & MIDBOX, SOFT CLOSE DRAWERS POWER BAR

Thank you for purchasing a Sealey product. Manufactured to a high standard, this product will, if used according to these instructions, and properly maintained, give you years of trouble free performance.

IMPORTANT: PLEASE READ THESE INSTRUCTIONS CAREFULLY. NOTE THE SAFE OPERATIONAL REQUIREMENTS, WARNINGS & CAUTIONS. USE THE PRODUCT CORRECTLY AND WITH CARE FOR THE PURPOSE FOR WHICH IT IS INTENDED. FAILURE TO DO SO MAY CAUSE DAMAGE AND/OR PERSONAL INJURY AND WILL INVALIDATE THE WARRANTY. KEEP THESE INSTRUCTIONS SAFE FOR FUTURE USE.

1. SAFETY

- ✗ To avoid tipping, **DO NOT** open more than one drawer at a time.
- ✗ **DO NOT** climb on the drawers.
- ✓ Close and secure all drawers when moving.
- ✓ Ensure that the plug is removed from the mains socket and the cable stored before moving the toolbox.

2. FITTING POWER BAR

- 2.1. The power bar may be fitted to either the right or left cheek of the top compartment; both sides are drilled ready.
- 2.2. Feed the plug and cable through the rubber flap on the appropriate side.
- 2.3. Attach the power bar to the side chosen using M3 x 10mm screws supplied.

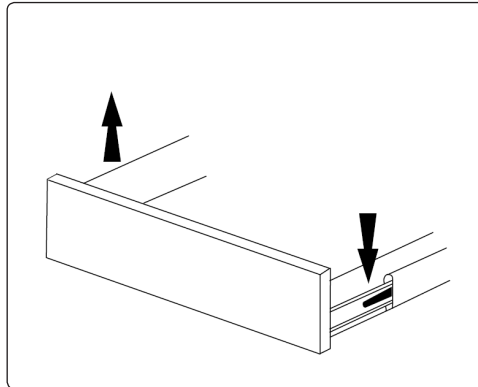
3. OPERATION

To remove a drawer with roller sliders, pull the drawer completely out, press down the right tab and lift up the left tab, pull drawer off the slides.

To reinstall the drawer, realign with the internal drawer slide and push until it locks in place.

4. MAINTENANCE

Lubricate slides periodically.



Parts support is available for this product. To obtain parts, please log on to www.sealey.co.uk, email sales@sealey.co.uk or telephone 01284 757500



ENVIRONMENT PROTECTION

Recycle unwanted materials instead of disposing of them as waste. All tools, accessories and packaging should be sorted, taken to a recycling centre and disposed of in a manner which is compatible with the environment. When the product becomes completely unserviceable and requires disposal, drain any fluids (if applicable) into approved containers and dispose of the product and fluids according to local regulations.

Note: It is our policy to continually improve products and as such we reserve the right to alter data, specifications and component parts without prior notice.

Important: No Liability is accepted for incorrect use of this product.

Warranty: Guarantee is 12 months from purchase date, proof of which is required for any claim.

Sealey Group, Kempson Way, Suffolk Business Park, Bury St Edmunds, Suffolk. IP32 7AR



01284 757500



01284 703534



sales@sealey.co.uk



www.sealey.co.uk